

**Kwik-Change™ Drinking Water Units**



1 STAGE



2 STAGE



3 STAGE



(OPTIONAL INSTALLATION KIT)

Your Drinking Water System has been tested to ensure it will operate correctly. The following periodic maintenance is recommended so your system will provide years of trouble-free service:

### Replacement cartridges

Sediment  
Carbon Filter  
Membrane Filter

### Replacement

Every 6 mo.  
Every 6 mo.  
Every 12 mo.

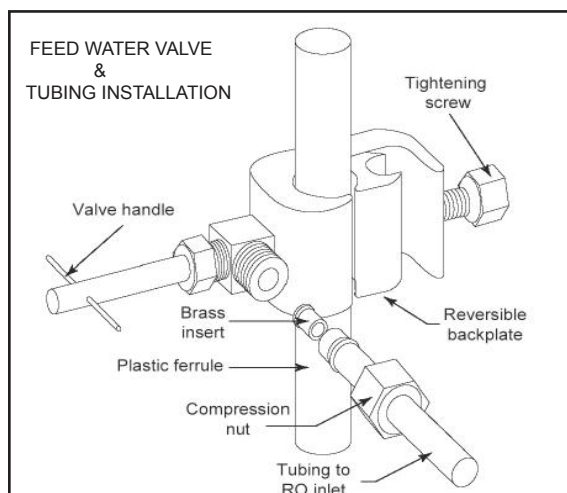
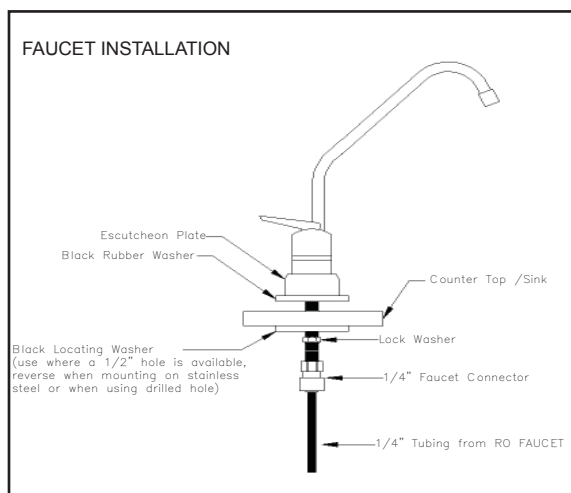
**System location:** Your drinking water system may be installed under a sink, in a basement or other location, depending on available space. Do not install unit where temperatures fall below freezing.

**Faucet** should be placed near the sink. A 2" flat surface is required to mount the faucet, and the thickness of the mounting thickness should not exceed 1-1/4". Size hole required is 7/8" (or 9/16").

### Installation steps

**Faucet installation:** If the sprayer hole is not used and a hole must be provided, check below sink to be sure the drill does not interfere with anything below. Position the faucet so it empties into the sink and the spout swivels freely for convenience.

Feed the threaded nipple through sink or counter mounting hole and orient the faucet. From below sink or counter, assemble the washer and hex nut on threaded nipple and tighten by hand. Tighten with wrench until the faucet is secure.



### Feed water valve and tubing installation

The self-tapping feed valve (supplied) is designed for use with 3/8" to 1/2" OD soft copper supply tubing (plain or chromed) and rigid metal pipe. Do not use with flexible ribbed supply tubing, which is too thin and requires special hardware.

1. Turn off cold water valve from under sink or main water line valve for whole house.
2. Before installing self-tapping feed water valve, make sure piercing lance does not protrude beyond the rubber gasket.
3. Assemble saddle valve on copper tubing.
4. Turn handle clockwise to pierce soft copper tube until valve is firmly seated. (Valve is closed in this position.)
5. Turn on water supply to pressurize the cold water line.
6. Snug nut/seal with wrench around valve stem.
7. Connect tubing to feed water valve using brass compression nut, insert and plastic sleeve.

**Initial tubing connections:** For convenience, it may be advisable to complete under counter hose connections at this time.

**Unit installation:** To mount the drinking water unit, elevate it at least 2" off the floor and mark the location of mounting holes needed. Drill holes for mounting screws and install screws, allowing the mounting bracket slots to slip over them.

**Final tubing connections:** With all components in place, complete final tubing connections using these guidelines:

- Tubing should follow contour of the cabinets.
- Cut tubing to desired length using square cuts.
- Do not make sharp bends.
- Keep tubing from the unit to the faucet as short as practical for good flow. Ice maker hookup (optional): The drinking water device can be connected to any standard ice maker. (Extra fittings are required).

### System start-up: Prior to start-up:

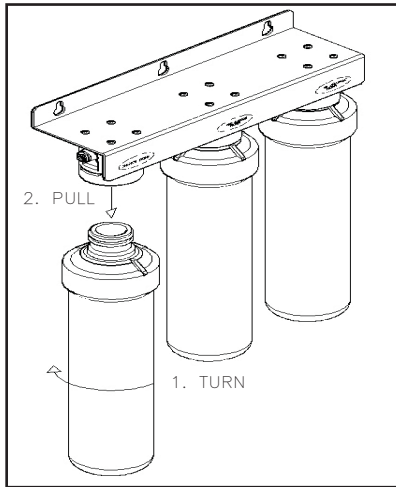
1. Check all connections so they are secure.
2. Turn valve handle counter clockwise to open the feed water saddle valve and check for leaks.
3. Close faucet and wait to see if leaks result.

## Cartridge Replacement

Cartridge replacement is made easy with the Watts Kwik Change system.

The following steps should be followed to change the cartridges.

- Step 1 Turn off the water supply to the unit.
- Step 2 Vent water pressure by opening the faucet.
- Step 3 Rotate the cartridge 1/4 turn counter clockwise.
- Step 4 Remove the cartridge and dispose of it.
- Step 5 Remove the protective cap and film from the new cartridge.
- Step 6 Orient the cartridge with the label facing to the left ( 9 o'clock position).
- Step 7 Push the cartridge into the head and rotate it clock wise 1/4 turn.
- Step 8 Wipe up any spill water.



The sediment and carbon cartridge should be changed every six months.

The membrane cartridge should be changed every 12 months.

## Limited Warranty

This Drinking Water System is warranted against defects in material and workmanship for a period of one year from the date of installation, not to exceed 2 years from the date of manufacture. Expendable items such as filter cartridges and membranes are not covered by this warranty.

How to obtain Warranty Service: Contact the dealer that you purchased the system from. Watts will work in conjunction with our dealer to repair or replace at our discretion any unit that is determined to be defective. No returns will be accepted without the proper return authorization number.

What this warranty does not cover: This warranty does not cover defects resulting from improper installation, from abuse, misuse, misapplication, improper maintenance, neglect, alteration, accidents, casualties, fire, flood, freezing, environmental factors, water pressure spikes or other such acts of God.

Return shipping charges are not included in this warranty and are the responsibility of the end user.

This warranty does not cover any equipment that is relocated from the site of its original installation.

This warranty does not cover any equipment that is installed or used outside the United States of America and Canada.

### LIMITATIONS AND EXCLUSIONS:

WATTS WILL NOT BE RESPONSIBLE FOR ANY IMPLIED WARRANTIES, INCLUDING THOSE OF MERCHANTABILITY AND FITNESS FOR A PARTICULAR PURPOSE. WATTS WILL NOT BE RESPONSIBLE FOR ANY INCIDENTAL OR CONSEQUENTIAL DAMAGES, INCLUDING WATER DAMAGE, TRAVEL EXPENSE, TELEPHONE CHARGES, LOSS OF REVENUE, LOSS OF TIME, INCONVENIENCE, LOSS OF USE OF THE EQUIPMENT, AND DAMAGE CAUSED BY THIS EQUIPMENT AND ITS FAILURE TO FUNCTION PROPERLY. THIS WARRANTY SETS FORTH ALL OF WATTS RESPONSIBILITIES REGARDING THIS EQUIPMENT.

### OTHER CONDITIONS:

If Watts chooses to replace the equipment, it may be replaced with reconditioned equipment. Parts used in repairing or replacing the equipment will be warranted for 90 days from the date the equipment is returned to you or for the remainder of the original warranty period, whichever is longer. This warranty is not assignable or transferable.